



SERVERS

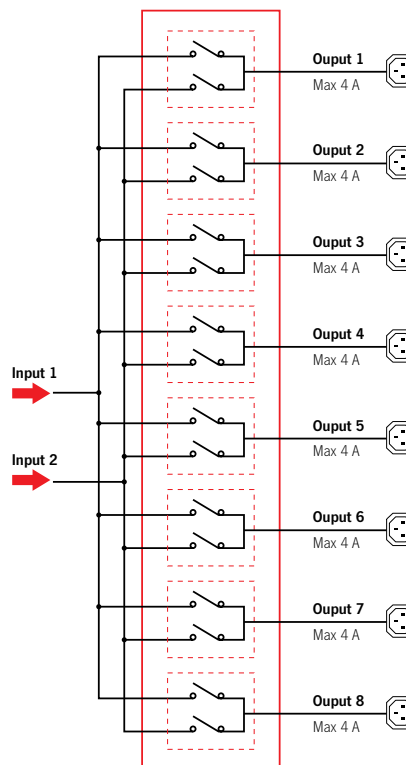
Multi Switch



16A Single-phase

Highlights

- Redundant power supply
- Load protection
- Versatility of use



Multi-SWITCH allows for extreme power supply continuity to the installation. Its operating principle ensures higher reliability than a single UPS or one with a bypass.

Operating principle

Multi-Switch allows for the remote distribution and management of 8 utilities in a system with two power supply lines of any type (two mains inputs, or two UPS devices).

Multi-Switch is able to connect each of the 8 loads (each with a maximum absorption of 4A) to one of the two power lines, while simultaneously monitoring absorption.

Protection against load faults

If the event of a load fault (for example due to a short circuit or overload) the Multi-switch disconnects the load, in order to prevent disturbing

the operation of the other loads (in case of poor protection selectivity).

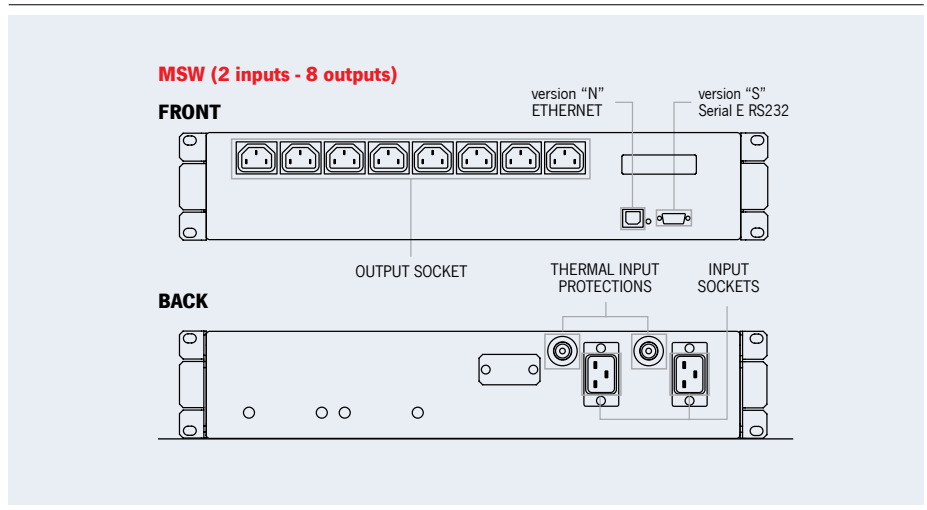
Protection against power supply faults

In the event one of the two power sources is not within the tolerances, Multi-Switch will switch the other utilities to the second power source (switching is instantaneous if the two sources are in phase).

Features

- Full utilities protection against mains and load failures
- Versatility of use: Multi-SWITCH can be powered with 2 different power supplies (2 UPS devices even of different sizes/ types)
- Wiring on 19" cabinet
- LCD display for monitoring measurements / alarms / statuses
- Can be connected to PowerNetGuard supervision software (Ethernet version)

- No signal connection between the Multi Switch and the power sources or utilities is necessary.
- Visualisation software
- Network interface.



MODELS	MSW
POWER	16A
INPUT	
Nominal voltage	180 - 276 Vac
Nominal frequency	50 or 60 Hz
Max load for every input (A)	16
Input sockets	2 IEC 320 (16A)
OUTPUT	
Nominal voltage	choice between the two input power sources
Max load for every output (A)	4
Output socket	8 IEC 320 10A
INFO FOR INSTALLATION	
Weight (kg)	10
Dimensions (hwd) (mm)	2U x 19" x 360
Ambient temperature	0°C / +40°C
Relative humidity	< 95% non-condensing
Protection devices	Overcurrent - overvoltage - undervoltage - thermal - protection against energy back-feed
Max altitude	3000 m
Max altitude (in storage conditions)	6000 m; 45 °C
Communication	RS232 in MSW-S / Ethernet in MSW-N
Colour	Dark grey RAL 5004
Protection level	IP20
Noise level	< 35 dBA a 1 m